



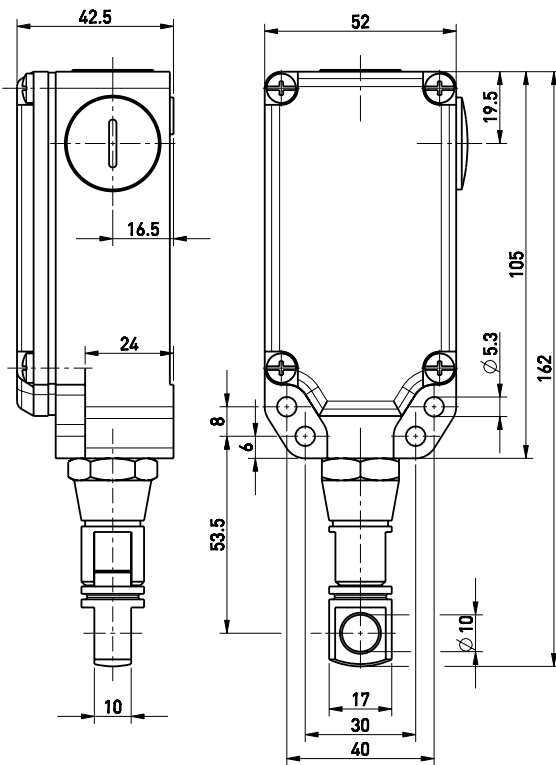
Pull-wire switch ZS 71 Z 10/1S RE

Material number: 1052373 (Material number old: 71041901)

Features/Options

- Metal enclosure
- Wall mounting
- Slow action: 2 contacts
- Pull-wire function with latching

Dimensions

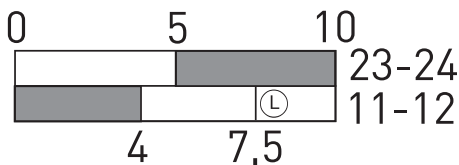


Technical data

Standards	EN 60947-5-1
Enclosure	aluminium die-cast, powder-coated
Cover	thermoplastic, ultramid
Degree of protection	IP 65 to IEC/EN 60529
Contact material	silver
Switching elements	change-over contact with double break, galvanically separated contact bridges
Switching system	slow action, positive break NC contacts ⊖
Connection	screw connection terminals
Cable cross-section	max. 2.5 mm ² (incl. conductor ferrules)
Cable entry	2 x M20 x 1.5
U _{imp}	4 kV
U _i	400 V
I _{the}	4 A
Utilisation category	AC-15
I _e /U _e	4 A/400 VAC
Max. fuse rating	4 A gG/gN fuse
Ambient temperature	-25 °C ... +70 °C
Mechanical life	> 1 million operations
Operation cycles	1800/h
Actuating force	max. 80 N
Features	pull-wire function with latching
Approvals	
Weight	387 g

Errors and omissions excepted.

Switching diagram



Contact diagram

