



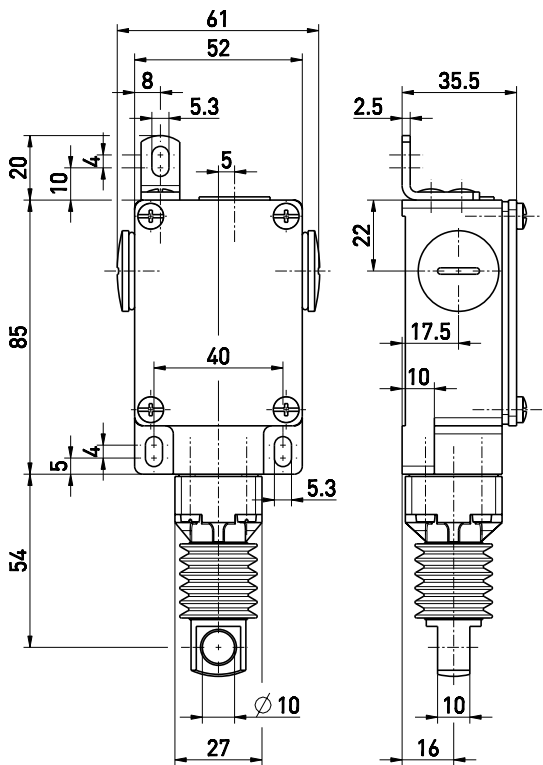
## Pull-wire switch ES 61 WZ 10/1S

Material number: 1047841 (Material number old: 61042001)

### Features/Options

- Metal enclosure
- Version for wall mounting with mounting angle
- Slow action: 2 contacts
- Pull-wire function
- Watertight collar W for protection against penetration of dirt

### Dimensions

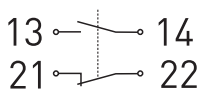


### Technical data

<b>Standards</b>	EN 60947-5-1
<b>Enclosure</b>	aluminium die-cast, powder-coated
<b>Cover</b>	steel, powder-coated
<b>Degree of protection</b>	IP 65 to IEC/EN 60529
<b>Contact material</b>	silver
<b>Switching elements</b>	change-over contact with double break, galvanically separated contact bridges
<b>Switching system</b>	slow action
<b>Connection</b>	screw connection terminals
<b>Cable cross-section</b>	max. 2.5 mm <sup>2</sup> (incl. conductor ferrules)
<b>Cable entry</b>	3 x M20 x 1.5
<b>U<sub>imp</sub></b>	6 kV
<b>U<sub>i</sub></b>	400 V
<b>I<sub>the</sub></b>	10 A
<b>Utilisation category</b>	AC-15
<b>I<sub>e</sub>/U<sub>e</sub></b>	16 A/400 VAC
<b>Max. fuse rating</b>	16 A gG/gN fuse
<b>Ambient temperature</b>	-20 °C ... +80 °C
<b>Mechanical life</b>	> 1 million operations
<b>Operation cycles</b>	3600/h
<b>Actuating force</b>	max. 50 N
<b>Features</b>	pull-wire function
<b>Approvals</b>	
<b>Weight</b>	360 g

Errors and omissions excepted.

### Contact diagram



### Switching diagram

