



Pull-wire switch

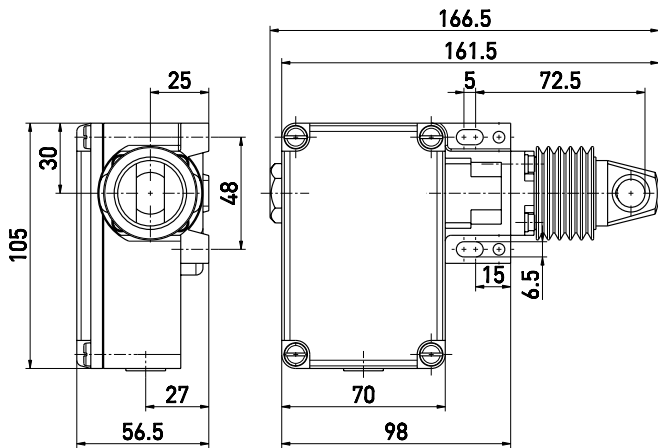
ZS 73 1Ö/1S W / 295-390 N

Material number: 1048224 (Material number old: 73142001)

Features/Options

- Metal enclosure
- 2 contacts
- Wire length up to 130 m
- Adjustable actuating force: 295-390 N
- Wire pull and breakage detection
- Watertight collar W for protection against penetration of dirt
- Without mechanical latching

Dimensions

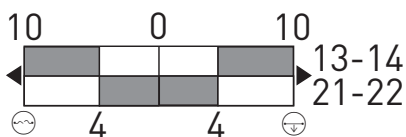


Technical data

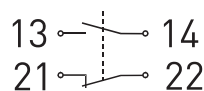
Standards	EN ISO 13849-1; EN 60947-5-1
Enclosure	aluminium die-cast, enamel finish
Cover	glass-fibre reinforced, shock-proof thermoplastic, ultramid
Degree of protection	IP 65 to IEC/EN 60529
Contact material	silver
Switching elements	change-over contact with double break
Switching system	snap action, positive break NC contacts ⊖
Connection	screw connection terminals
Cable cross-section	max. 2.5 mm ² (incl. conductor ferrules)
Cable entry	1 x M16 x 1.5
B_{10d} (10 % Load)	2 million
T_M	max. 20 years
U_{imp}	6 kV
U_i	400 V
I_{the}	6 A
Utilisation category	AC-15
I_e/U_e	6 A/400 VAC
Max. fuse rating	6 A gG/gN fuse
Ambient temperature	-25 °C ... +70 °C
Mechanical life	> 1 million operations
Max. wire length	130 m
Features	wire pull and breakage detection
Approvals	
Weight	660 g

Errors and omissions excepted.

Switching diagram



Contact diagram



Note:

At 5 m distance intermediate wire supports are required. One wire thimble is provided.