



Pull-wire switch

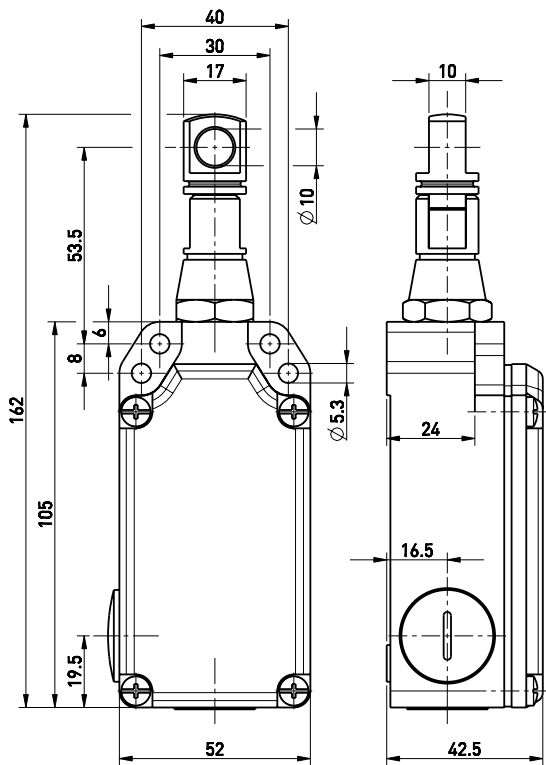
ZS 71 2Ö / 55 N

Material number: 1048098 (Material number old: 71541001)

Features/Options

- Metal enclosure
- 2 contacts
- Small design
- Wire length up to 5 m
- Spring force variant (actuating force): 55 N for max. 5 m
- Wire pull and breakage detection
- Without mechanical latching

Dimensions



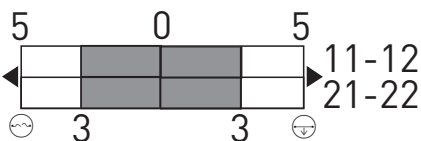
Technical data

Standards	EN ISO 13849-1; EN 60947-5-1
Enclosure	aluminium die-cast, powder-coated
Cover	glass-fibre reinforced, shock-proof thermoplastic, ultramid
Degree of protection	IP 65 to IEC/EN 60529
Contact material	silver
Switching elements	2 NC contacts with double break
Switching system	snap action, positive break NC contacts ⊖
Connection	screw connection terminals
Cable cross-section	max. 2.5 mm ² (incl. conductor ferrules)
Cable entry	2 x M20 x 1.5
B_{10d} (10 % Load)	2 million
T_M	max. 20 years
U_{imp}	6 kV
U_i	400 V
I_{the}	6 A
Utilisation category	AC-15
I_e/U_e	6 A/400 VAC
Max. fuse rating	6 A gG/gN fuse
Ambient temperature	-25 °C ... +70 °C
Mechanical life	> 1 million operations
Max. wire length	5 m
Features	wire pull and breakage detection
Approvals	

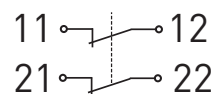
Weight 380 g

Errors and omissions excepted.

Switching diagram



Contact diagram



Note:

At 3 m distance intermediate wire supports are required. One wire thimble is provided.