



Emergency pull-wire switch ZS 70 2Ö VD

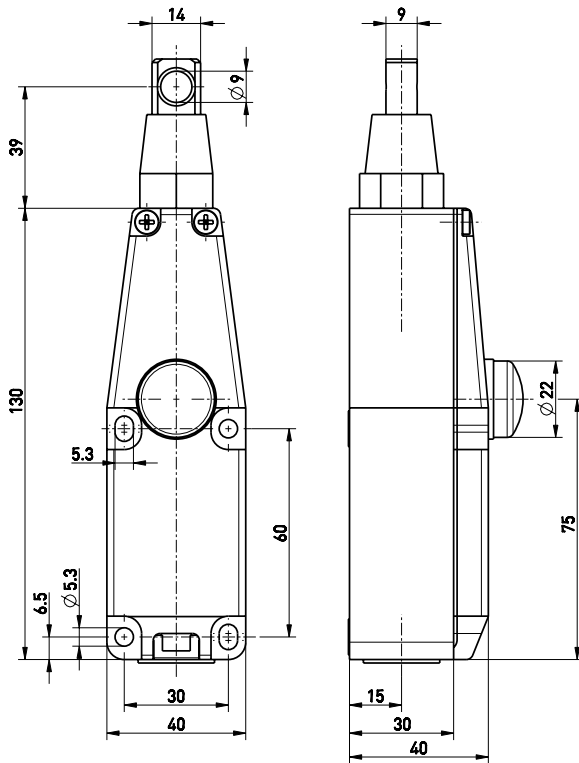
Material number: 1178380 (Material number old: 70541501)

Features/Options

- Thermoplastic enclosure
- 2 contacts
- Mounting details to EN 50041
- Small design

- Wire length up to 10 m
- Release by push-button (VD)
- Wire pull and breakage detection

Dimensions



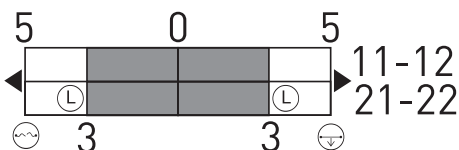
Technical data

Standards	EN 60947-5-1, -5; EN ISO 13850; EN ISO 13849-1
Enclosure	glass-fibre reinforced, shock-proof thermoplastic, ultramid
Cover	glass-fibre reinforced, shock-proof thermoplastic, ultramid
Degree of protection	IP 67 to IEC/EN 60529
Contact material	silver
Switching elements	2 NC contacts with double break snap action, positive break NC contacts ⊖
Connection	screw connection terminals
Cable cross-section	max. 2.5 mm ² (incl. conductor ferrules)
Cable entry	1 x M20 x 1.5
B_{10d} (10 % Load)	200 000
T_M	max. 20 years
U_{imp}	6 kV
U_i	400 V
I_{the}	6 A
Utilisation category	AC-15
I_e/U_e	6 A/400 VAC
Max. fuse rating	6 A gG/gN fuse
Ambient temperature	-25 °C ... +70 °C
Mechanical life	> 100 000 operations
Max. wire length	10 m
Features	wire pull and breakage detection
Approvals	

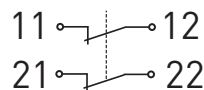
Weight 236 g

Errors and omissions excepted.

Switching diagram



Contact diagram



Note:
At 2.5 m distance intermediate wire supports are required.



Emergency pull-wire switch

ZS 70 2Ö VD

Material number: 1178380 (Material number old: 70541501)

One wire thimble is provided.