



Foot switch with metal enclosure

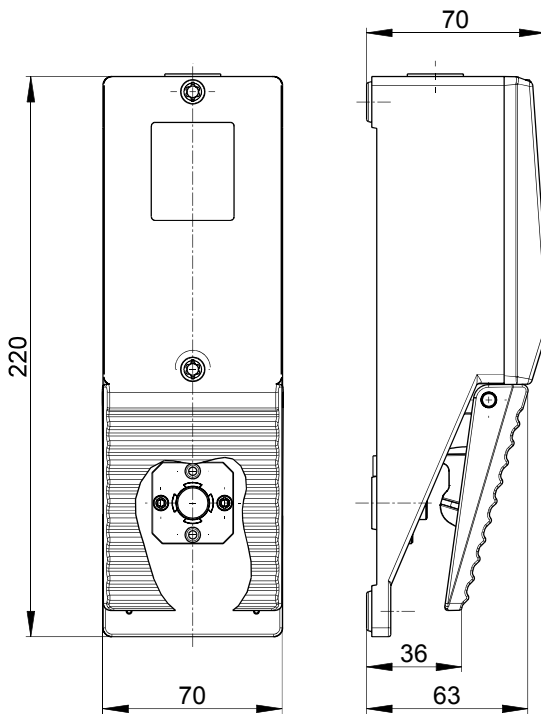
GF 1ÖS D 1ÖS

Material number: 1048531 (Material number old: 81121001)

Features/Options

- With pressure point: 2-step switch
- 4 contacts
- Metal enclosure
- High level of stability
- Low pedal height
- Wiring compartment

Dimensions



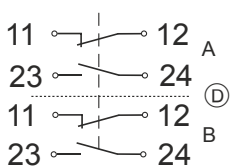
Technical data

Standards	EN ISO 13849-1; EN 60947-5-1
Enclosure	aluminium die-cast, enamel finish, RAL 5011
Cover	glass-fibre reinforced thermoplastic
Pedal	glass-fibre reinforced thermoplastic
Connection	screw connection terminals
Cable cross-section	max. 2.5 mm ² (incl. conductor ferrules)
Cable entry	1 x M20 x 1.5
Contact material	silver
Degree of protection	IP 65 to IEC/EN 60529
Switching system	slow action with double break, positive break NC contacts ⊖
Switch insert	2 x ES 40 GF
Switching elements	2-step switching: 1 NC/1 NO contact pressure point: 1 NC/1 NO contact
Actuating force	approx. 240 N
B_{10d} (10 % Load)	2 million
T_M	max. 20 years
Utilisation category	AC-15
I_e/U_e	6 A/400 VAC
Max. fuse rating	6 A gG/gN fuse
Ambient temperature	-25 °C ... +80 °C
Mechanical life	> 1 million operations
Approvals	

Weight 600 g

Errors and omissions excepted.

Contact diagram





Foot switch with metal enclosure

GF 10S D 10S

Material number: 1048531 (Material number old: 81121001)

Switching diagram

