



Safety foot switches

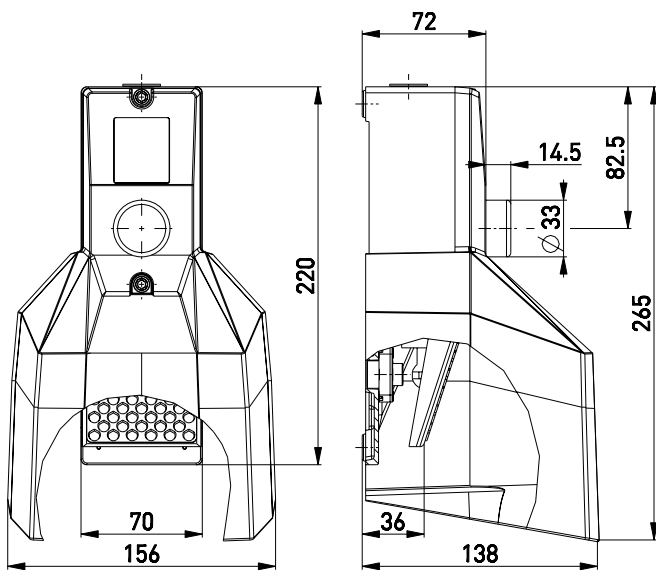
GFS IK 10S D 10 VD

Material number: 1181480 (Material number old: 81281905)




Features/Options

- Metal enclosure
 - Wiring compartment
 - Without switching impulse when unlocking foot switch;
- NO contact 13-14 is converted into positive break NC contact \ominus by internal baffle after pressure point,
Safety contact: 13-14 \ominus , Signalling contact: 21-22

Dimensions



Technical data

Standards	EN ISO 13849-1; EN 60947-5-1, BG-GS-ET-15
Enclosure	aluminium die-cast, enamel finish, RAL 5011
Pedal	glass-fibre reinforced thermoplastic
Protective shield	aluminium die-cast, enamel finish, RAL 5011
Connection	screw connection terminals
Cable cross-section	max. 2.5 mm ² (incl. conductor ferrules)
Cable entry	1 x M20 x 1.5
Contact material	silver
Degree of protection	IP 65 to IEC/EN 60529
Switching system	slow action with double break, positive break NC contacts \ominus
Switch insert	ES 60 GF IK VD
Switching elements	1 NO/1 NC contact
Actuating force	approx. 240 N
B _{10d} (10 % Load)	200 000
T _M	max. 20 years
Utilisation category	AC-15
U _{imp}	6 kV
U _i	500 V
I _{the}	6 A
I _e /U _e	6 A/400 VAC
Contact load capacity	max. 400 VAC, max. 6 A (cos φ = 1)
Max. fuse rating	6 A gG/gN fuse
Ambient temperature	-25 °C ... +80 °C
Mechanical life	> 100 000 operations
Approvals	  
Weight	1000 g

Errors and omissions excepted.

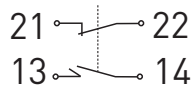


Safety foot switches

GFS IK 1ÖS D 1Ö VD

Material number: 1181480 (Material number old: 81281905)

Contact diagram



Switching diagram

