



Foot switches with thermoplastic enclosure

KF 2 1PW/1PW

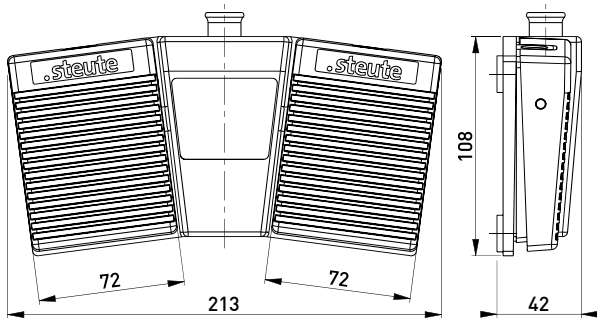
Material number: 1049096 (Material number old: 87173003)

Features/Options

- 2-pedal type
- Thermoplastic enclosure
- Small flat design

- Wiring compartment
- Micro switches (1-pole change-over contact per pedal)
for current load up to 5 A

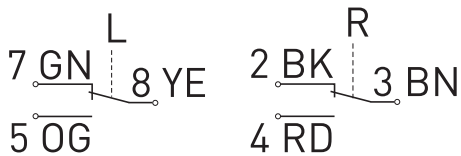
Dimensions



Technical data

Standards	EN 60947-5-1; VDE 0660 part 200
Enclosure	polyamide 66 glass-fibre reinforced, self-extinguishing
Pedal	glass-fibre reinforced thermoplastic (PA 66)
Connection	wiring compartment, cable gland M12 x 1.5
Cable cross-section	max. AWG 22: 0.33 mm ² , cable: ø max. 6.5 mm
Degree of protection	IP 65 to IEC/EN 60529
Switching system	micro switch: 1-pole change-over contact per pedal
Switching voltage	12 ... 250 VAC/DC
Max. switch-on current	5 A
Max. switch-on power	1250 VA
Max. fuse rating	5 A gG/gN fuse
Ambient temperature	-10 °C ... +60 °C
Mechanical life	> 1 million operations
Approvals	

Contact diagram



Weight

428 g

Errors and omissions excepted.