



Foot switches with thermoplastic enclosure

KF 2 1S/1S-2m

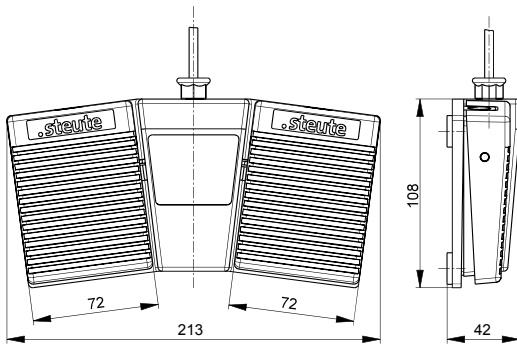
Material number: 1049007 (Material number old: 87168004)

Features/Options

- 2-pedal type
- Thermoplastic enclosure
- Small flat design

- With pre-wired cable, cable length 2 m
- Reed contacts (1 NO contact per pedal) for low currents from 1 mA to 1 A

Dimensions



Technical data

Standards
Enclosure

EN 60947-5-1; VDE 0660 part 200
polyamide 66 glass-fibre reinforced, self-extinguishing

Pedal

glass-fibre reinforced thermoplastic (PA 66)

Connection

cable AWG, length 2 m

Cable cross-section

4-core AWG 22: 0.33 mm²,

cable: ø max. 6.5 mm

Degree of protection

IP 65 to IEC/EN 60529

Switching system

reed contacts: 1 NO contact per pedal

Switching voltage

12 ... 250 VAC/DC

Max. switch-on current

1 A

Max. switch-on power

30 VA

Ambient temperature

-10 °C ... +60 °C

Mechanical life

> 1 million operations

Approvals



Weight

506 g

Contact diagram



Errors and omissions excepted.