



Foot switches with thermoplastic enclosure

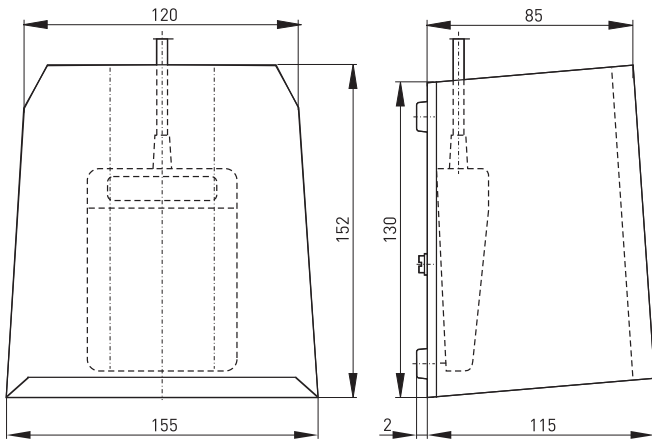
KFS 1PW - 2m

Material number: 1049352 (Material number old: 88231003)

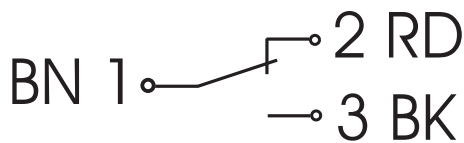
Features/Options

- Thermoplastic enclosure
- With metal protective shield
- Micro switches (1-pole change over contact) for current load up to 5 A
- With pre-wired cable, cable length 2 m

Dimensions



Contact diagram



Technical data

Standards	EN 60947-5-1; VDE 0660 part 200
Enclosure	polyamide 66 glass-fibre reinforced, self-extinguishing
Pedal	glass-fibre reinforced thermoplastic (PA 66)
Protective shield	steel, enamel finish
Connection	cable AWG, length 2 m
Cable cross-section	3-core: AWG 20: 0.52 mm ²
Degree of protection	IP 65 to IEC/EN 60529
Switching system	Snap action: micro switch
Switching voltage	12 ... 250 VAC/DC
Max. switch-on current	5 A
Max. switch-on power	1250 VA
Max. fuse rating	5 A gG/gN fuse
Ambient temperature	-10 °C ... +60 °C
Mechanical life	> 1 million operations
Approvals	



Weight

885 g

Errors and omissions excepted.